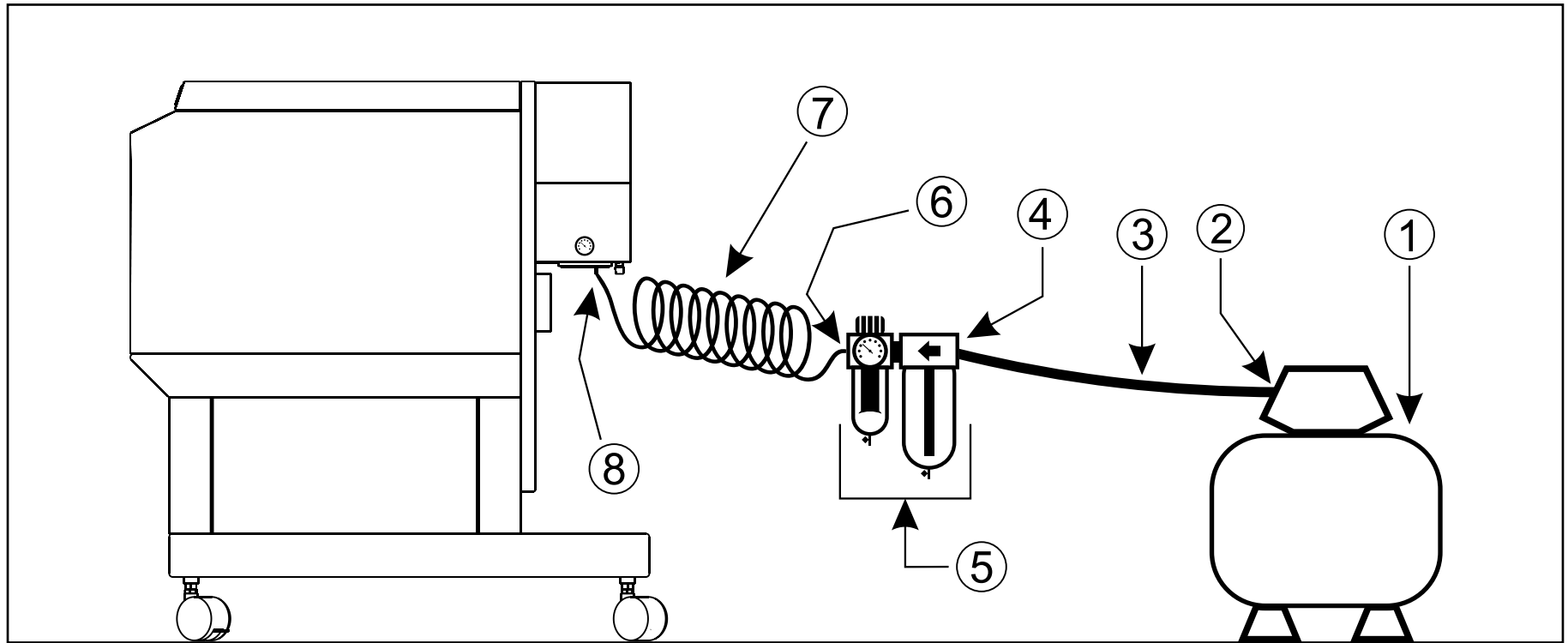


**Generic Air Assist Setup:** *From compressor to laser system.*



1. Oil-Free 1.0 HP 2.0-Gallon Aluminum Tank Air Compressor
2. Air Fittings, Air Coupler and Plug, Industrial 1/4" NPT Air Tool Fittings
3. Air Hose 3/8-Inch, 300 PSI Heavy Duty with 1/4-Inch Brass Male Fittings
4. Air Fittings, Air Coupler and Plug, Industrial 1/4" NPT Air Tool Fittings
5. 3/8" Compressed air in line filter & desiccant air dryer combination
6. Air Fittings, Air Coupler and Plug, Industrial 1/4" NPT Air Tool Fittings
7. Polyurethane Coiled Air Hose, 3/8-Inch ID, 10-Foot Length with (2) 3/8-Inch MPT Swivel Fittings
8. Metal quick-disconnect coupling insert, valved, 1/4" NPT (M) thread, 1/4" flow size