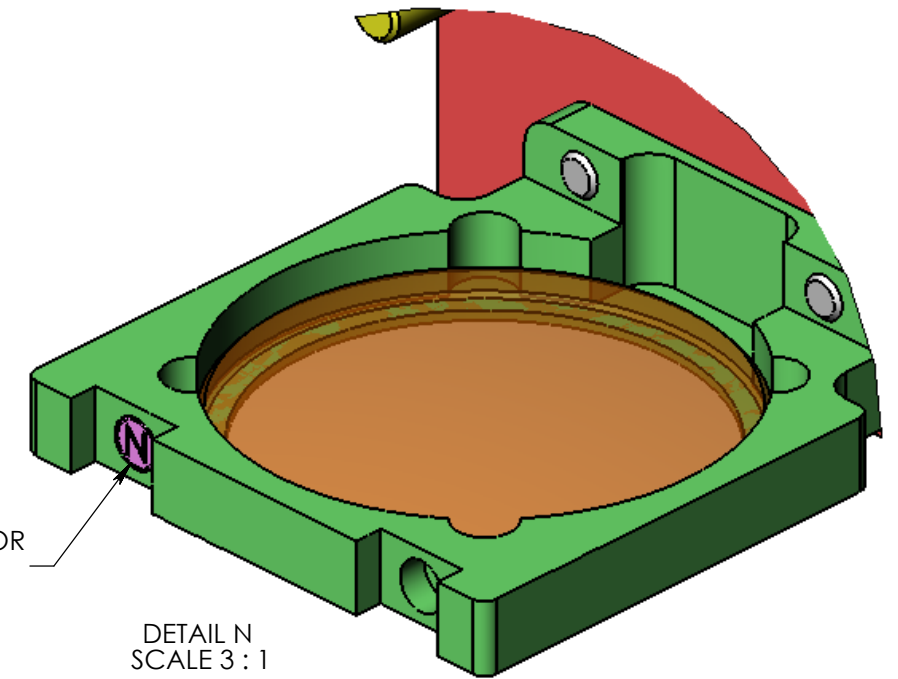
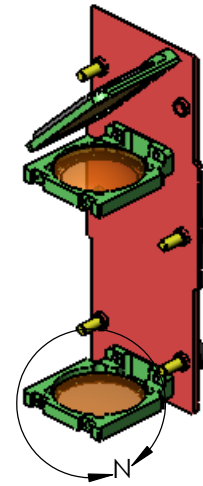
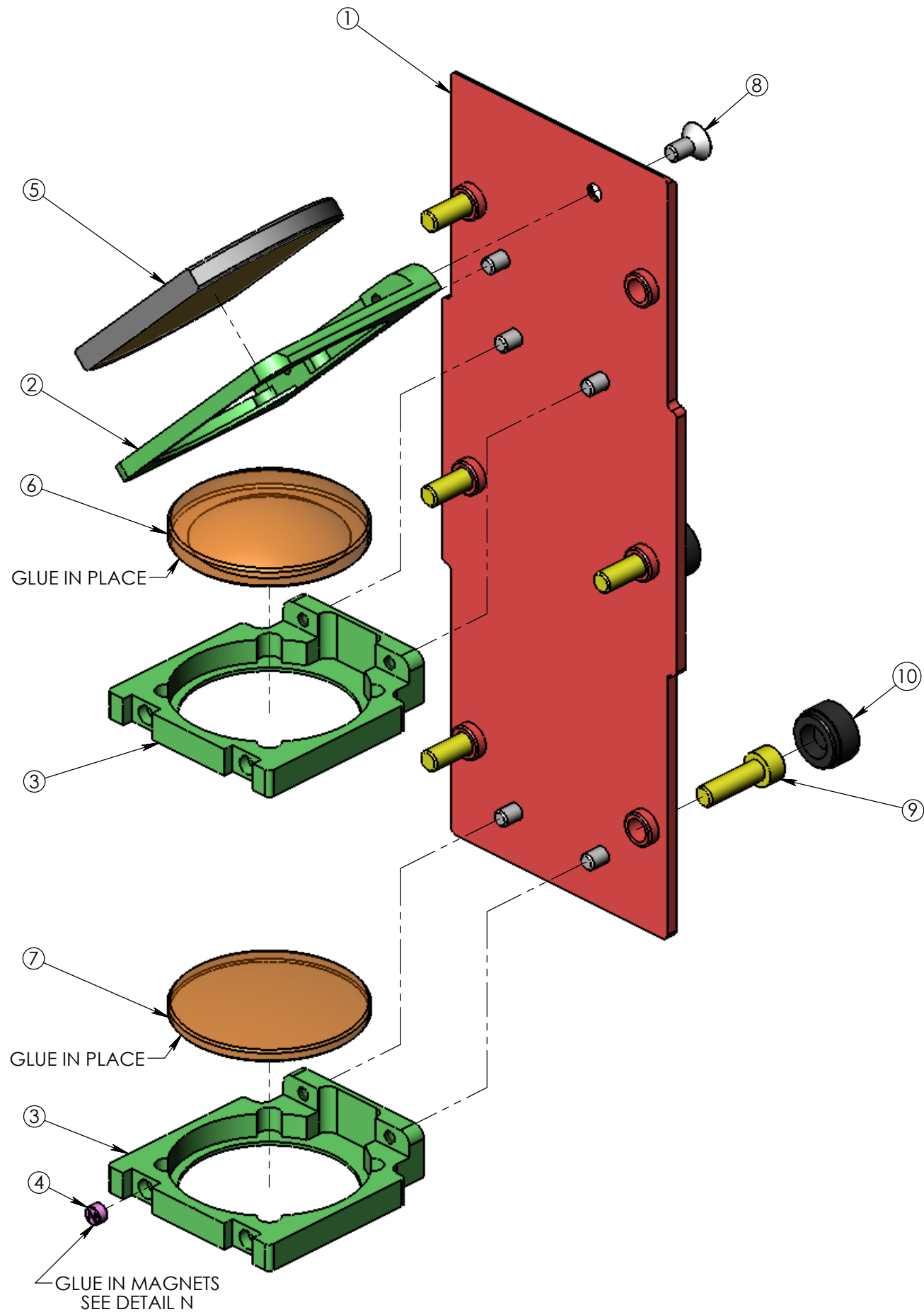


REVISIONS

REV	DATE	ECO	APP'D	CHANGE DESCRIPTION
-	3/28/2005	1305	DD	NEW DRAWING/PART

ITEM NO.	QTY.	PART NUMBER	DESCRIPTION
1	1	700-0979-2	XL CARRIAGE OPTICS COVER
2	1	700-0978-0	XL #3 MIRROR HOLDER-WIDE BEAM
3	2	700-0977-0	XL #3 LENS HOLDER
4	1	268-0002(0003)-0	Ø.100 x .060 NdFeB MAGNET
5	1	620-0018-0	MIRROR, Ø1.500", 1.000" TRUNCATED
6	1	610-0032-0	BEAM SHAPING ELEMENT C, 1 INCH
7	1	610-0033-0	BEAM SHAPING ELEMENT D, 1 INCH
8	6	500-2603-0	FPCS 2-56 x .188 SS (MMC-91771A076)
9	5	500-4206-0	SCS 4-40 x .375 SS
10	5	575-0001-0	#4 THUMB SCREW CAP (MMC-94052A021)
11	1	795-0043-0	HPDFO FOCUSING TOOL



NOTE: MAGNET PLACMENT FOR HPDFO LENS KIT ONLY

DETAIL N  
SCALE 3 : 1

APPROVALS		DATE	Universal Laser Systems, Inc.	
DRAWN	D.Damato	3/28/2005	16008 North 81st Street Scottsdale, Arizona 85250	
ENGINEERING	-	-	TITLE	
MANUFACTURING	-	-	XL HPDFO LENS KIT	
PROPRIETARY NOTE				
THIS DRAWING AND ANY DATA DISCLOSED THEREIN IS THE PROPERTY OF UNIVERSAL LASER SYSTEMS, INC. AND CONSTITUTES AND CONTAINS PROPRIETARY AND CONFIDENTIAL INFORMATION. NEITHER RECEIPT NOR POSSESSION OF THIS DRAWING CONFERS OR TRANSFERS ANY RIGHT TO DUPLICATE, USE, OR DISCLOSE ANY INFORMATION CONTAINED HEREIN EXCEPT AS EXPRESSLY AUTHORIZED BY UNIVERSAL LASER SYSTEMS, INC.			SIZE	REV
			B	-
DRAWING NO.		SCALE		SHEET
145-0066-0(1)		1:2		1 OF 1
DO NOT SCALE DRAWING				